



SERVING THE FOOD INDUSTRY SINCE 1951

STAINLESS STEEL SPACE SAVER SINKS

18-gauge 304 stainless steel. Equipped with drain guards. Corner drain. Conforms to CSA Standards. Faucet holes are 1" (8-inch apart) on center. Shipped with legs removed.

39761 Three tub sink with no drain board with corner drain



39764 Three tub sink with 16" left/right drain boards with corner drain



39762 Three tub sink with 16" left drain board with corner drain



39763 Three tub sink with 16" right drain board with corner drain



SHIPPED ON PALLET
*Only applies to item 39764



Authorized Dealer

TABLES AND SINKS

THREE TUB SINK WITH NO DRAIN BOARD WITH CORNER DRAIN

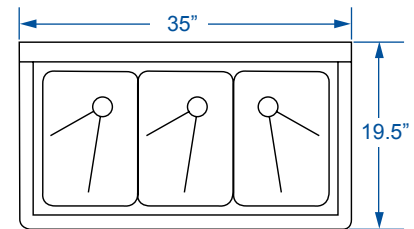
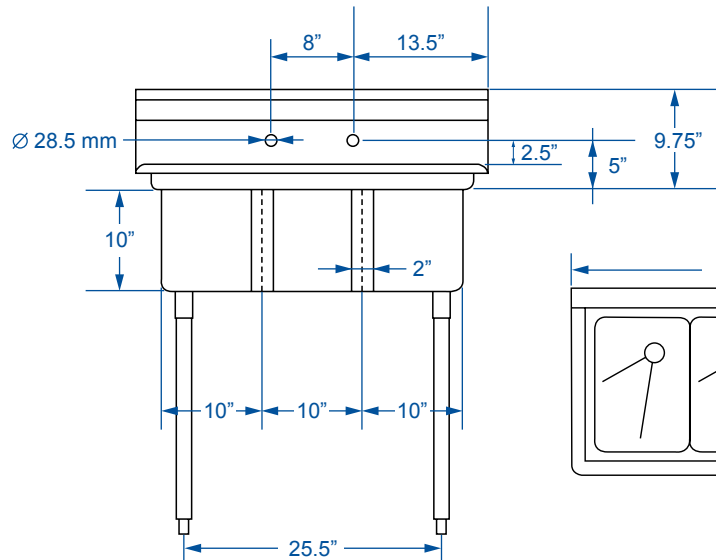
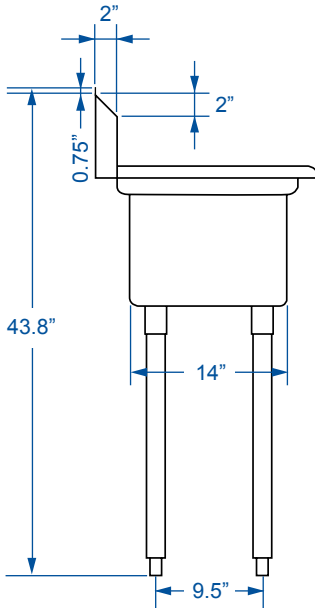


TECHNICAL SPECIFICATIONS

ITEM NUMBER	39761
NO. OF SINKS	Three Tub Sinks
DRAIN BOARD	No Drain Board
CORNER DRAIN	Yes
SINK DIMENSIONS	10" x 14" x 10" 254 x 356 x 254 mm
OVER-ALL DIMENSIONS	35.1" x 19.5" x 43.8" 892 x 495 x 1113 mm



TECHNICAL DRAWINGS AND DIMENSIONS



OMCAN INC.

Telephone: 1-800-465-0234
Fax: (905) 607-0234
Email: sales@omcan.com
Website: www.omcan.com



Follow us to keep up to date with the latest news and offers



TABLES AND SINKS

THREE TUB SINK WITH 16" LEFT DRAIN BOARD WITH CORNER DRAIN

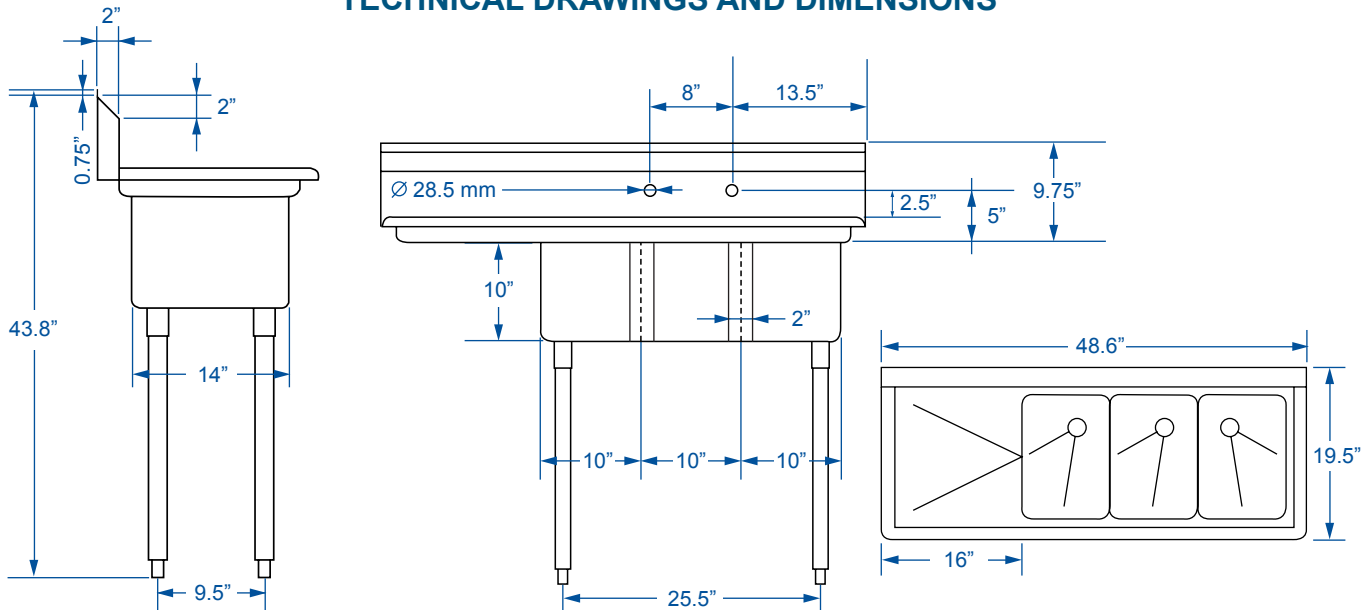


TECHNICAL SPECIFICATIONS

ITEM NUMBER	39762
NO. OF SINKS	Three Tub Sinks
DRAIN BOARD	16" Left Drain Board
CORNER DRAIN	Yes
SINK DIMENSIONS	10" x 14" x 10" 254 x 356 x 254 mm
OVER-ALL DIMENSIONS	48.6" x 19.5" x 43.8" 1234 x 495 x 1113 mm



TECHNICAL DRAWINGS AND DIMENSIONS



OMCAN INC.

Telephone: 1-800-465-0234
Fax: (905) 607-0234
Email: sales@omcan.com
Website: www.omcan.com



Follow us to keep up to date with the latest news and offers



2015.E.O.E

TABLES AND SINKS

THREE TUB SINK WITH 16" RIGHT DRAIN BOARD WITH CORNER DRAIN

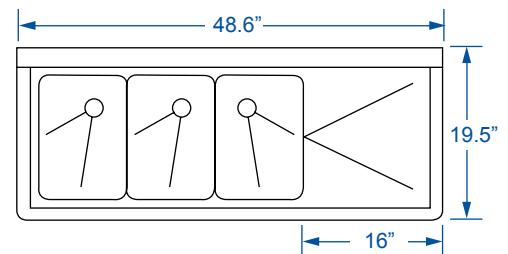
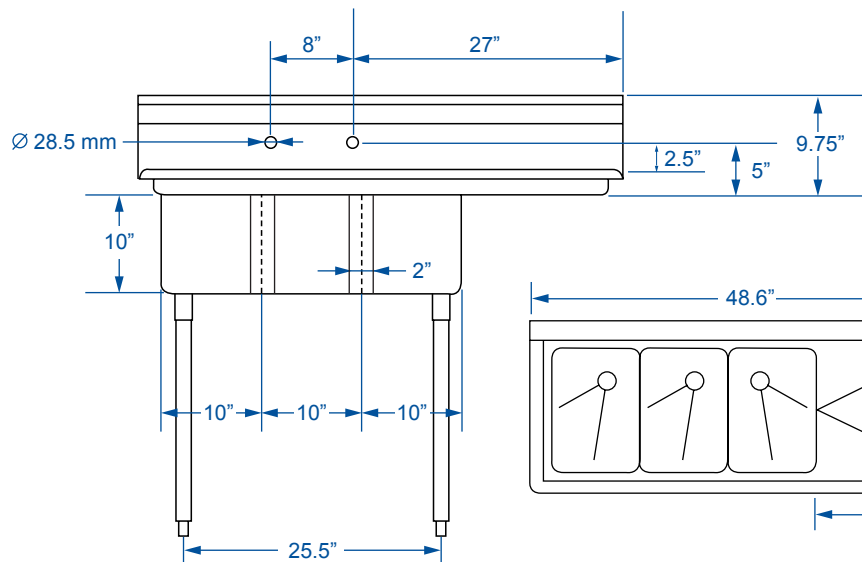
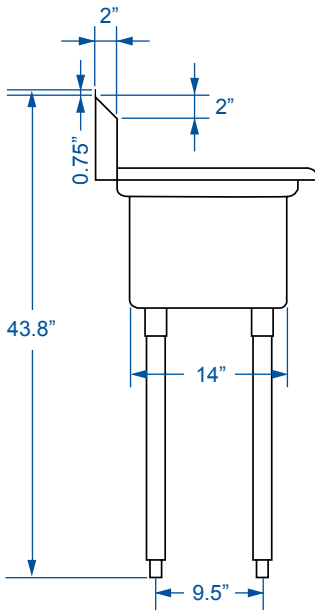


TECHNICAL SPECIFICATIONS

ITEM NUMBER	39763
NO. OF SINKS	Three Tub Sinks
DRAIN BOARD	16" Right Drain Board
CORNER DRAIN	Yes
SINK DIMENSIONS	10" x 14" x 10" 254 x 356 x 254 mm
OVER-ALL DIMENSIONS	48.6" x 19.5" x 43.8" 1234 x 495 x 1113 mm



TECHNICAL DRAWINGS AND DIMENSIONS



OMCAN INC.

Telephone: 1-800-465-0234
 Fax: (905) 607-0234
 Email: sales@omcan.com
 Website: www.omcan.com



Follow us to keep up to date with the latest news and offers



TABLES AND SINKS

THREE TUB SINK WITH 16" LEFT/RIGHT DRAIN BOARDS
WITH CORNER DRAIN

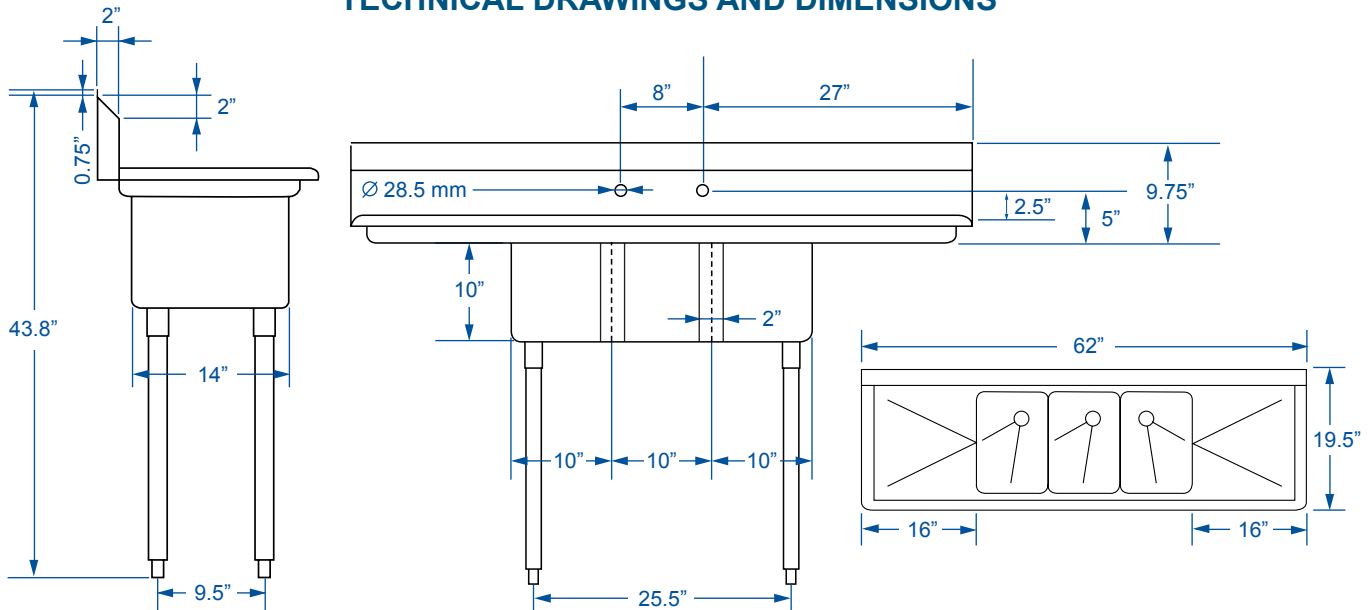


TECHNICAL SPECIFICATIONS

ITEM NUMBER	39764
NO. OF SINKS	Three Tub Sinks
DRAIN BOARD	16" Left / Right Drain Boards
CORNER DRAIN	Yes
SINK DIMENSIONS	10" x 14" x 10" 254 x 356 x 254 mm
OVER-ALL DIMENSIONS	62" x 19.5" x 43.8" 1574.8 x 495 x 1113 mm



TECHNICAL DRAWINGS AND DIMENSIONS



OMCAN INC.

Telephone: 1-800-465-0234
Fax: (905) 607-0234
Email: sales@omcan.com
Website: www.omcan.com



Follow us to keep up to date with the latest news and offers



2015.E.O.E